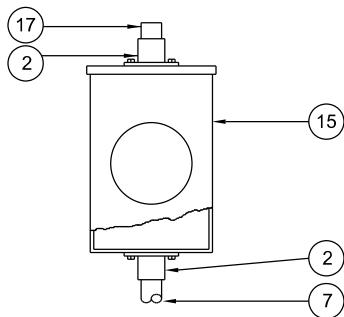


**UNDERGROUND SUPPLY  
INSTALLATION**



**DETAIL OF METER BASE  
INSTALLATION**

- ① PVC COATED STEEL PIPE STRAPS SPACED 1.2m (NOTE 5)
- ② FEMALE ADAPTER & METALLIC CONDUIT NIPPLE (POLYMER TAPE OR TEFLON TAPE TO BE USED FOR NIPPLE ATTACHMENT) IN METER HUB, 50mm RIGID STEEL, C/W GASKET
- ③ SUPPLY CONTROL CABINET, SQUARE D, MODEL CQO18M100RB, OR APPROVED EQUAL, STRAPPED TO POLE
- ④ TERMINAL ADAPTER AND LOCKNUT, 25mm RIGID PVC
- ⑤ TERMINAL ADAPTER AND LOCKNUT, 50mm RIGID PVC
- ⑥ CONDUIT, 25mm RIGID PVC
- ⑦ CONDUIT, 50mm RIGID PVC
- ⑧ 90° SWEEP, 50mm RIGID PVC
- ⑨ ADAPTER COUPLING, 50mm
- ⑩ CONDUIT, 50mm, RIGID PVC, AS INDICATED IN CONTRACT DRAWINGS, TO TRAFFIC SIGNAL CONTROLLER OR MAINTENANCE HOLE/ HANDWELL
- ⑪ CONDUIT, 50mm RIGID PVC TO MAINTENANCE HOLE/ HANDWELL FOR STREETLIGHTING, IF REQUIRED.
- ⑫ GROUND WIRE, (NOTE 1)
- ⑬ COPPER CLAD GROUND ELECTRODE, (NOTE 1)
- ⑭ GROUND PLATE, (NOTE 1)
- ⑮ METER BASE, 100A, 600V (REQUIREMENT INDICATED IN THE CONTRACT)
- ⑯ CONDUIT, 50mm, RIGID PVC OR STEEL AS INDICATED TO POWER SUPPLY POINT
- ⑰ "LB" ELBOW, 50mm RIGID PVC

**NOTES:**

1. 3.0m x 3.0m GROUND GRID CONSTRUCTED USING # 2/0 AWG BARE STRANDED COPPER GRD WIRE, 4-20mm x 3.0m COPPER CLAD GROUND RODS AND MOULDED TYPE CONNECTION. IN AREAS OF PROPERTY CONSTRAINT (4) RODS TO BE INSTALLED IN STRAIGHT LINE, 3.0m APART. GROUND PLATE (2) MAY BE SUBSTITUTED FOR GROUND RODS.
2. WORK ON HYDRO POLE SHALL BE DONE ONLY IN THE PRESENCE OF OR WITH THE PERMISSION OF THE LOCAL HYDRO AUTHORITY.
3. CO-ORDINATE CONNECTION WITH THE LOCAL HYDRO AUTHORITY, GIVING TWO WEEKS ADVANCE NOTICE ONCE THE NEW SERVICE HAS PASSED INSPECTION BY THE ELECTRICAL SAFETY AUTHORITY
4. MOUNTING DETAILS SHOWN ARE TYPICAL ONLY AND SHALL BE ADAPTED TO SUIT SITE CONDITIONS AND THE LOCAL HYDRO AUTHORITY.
5. 16mm STAINLESS STEEL BANDING TAPE TO BE USED IN LIEU OF PVC STRAPS ON CONCRETE OR STEEL POLES.

ALL DIMENSIONS IN MILLIMETRES  
UNLESS OTHERWISE NOTED



**PUBLIC WORKS  
STANDARD DRAWING**

REV. DATE: DECEMBER 2018

**MTO METERED UNDERGROUND POWER SUPPLY  
WOOD/CONCRETE POLE MOUNTED  
TRAFFIC SIGNAL & STREETLIGHT APPLICATION**

APPROVED BY

DRAWN BY

GK

TSS SECTION

STD. DWG. NUMBER

SCALE

**4-1-2**

N.T.S.