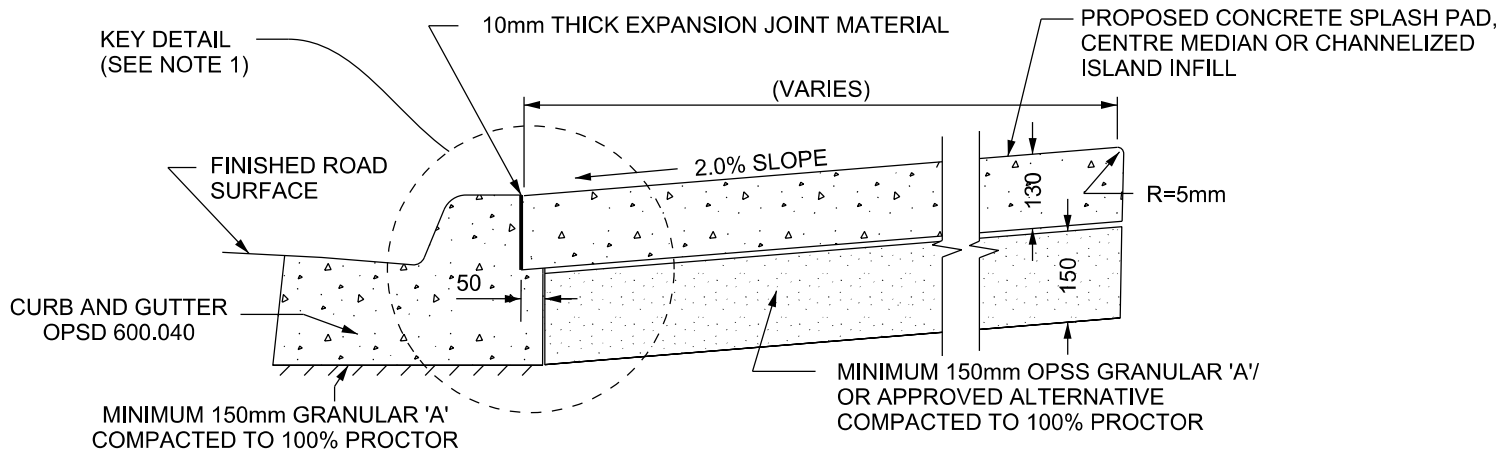
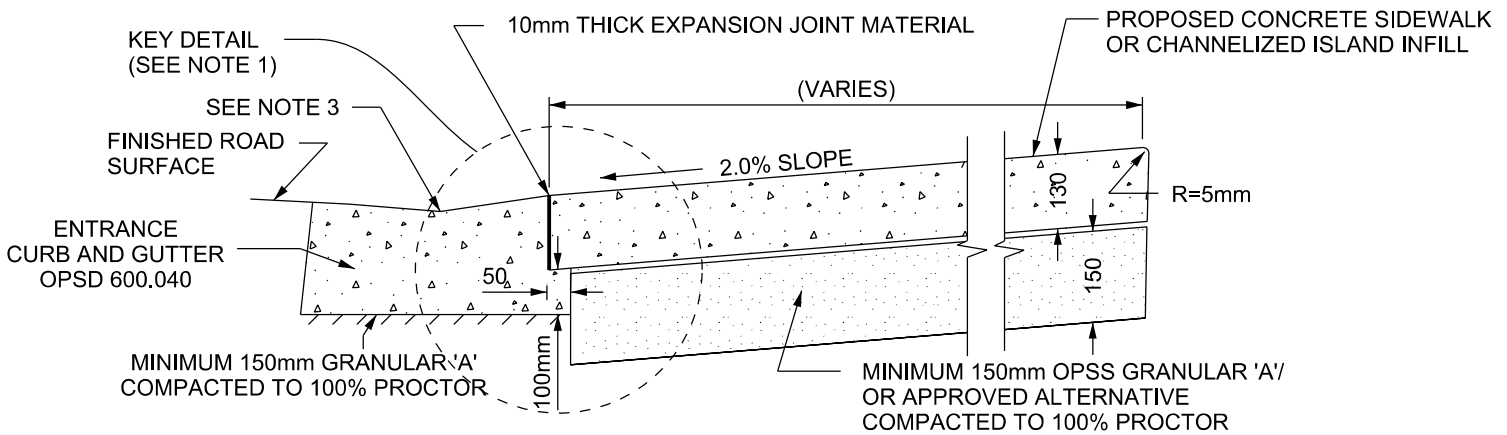


BARRIER CURB



CURB AND GUTTER



**DROPPED CURB AND GUTTER
AT ENTRANCE**

NOTES

1. THIS DRAWING MUST BE USED IN CONJUNCTION WITH STANDARD DRAWING 5-2-9B
 2. ALL CONCRETE TO BE 32MPa; 7% +/-1.5% AIR ENTRAINED
 3. DEPRESSED CURB AT ENTRANCE SHALL BE MODIFIED TO ELIMINATE 30mm STEP AT GUTTER
- ALL DIMENSIONS ARE IN MILLIMETERS UNLESS OTHERWISE SPECIFIED.