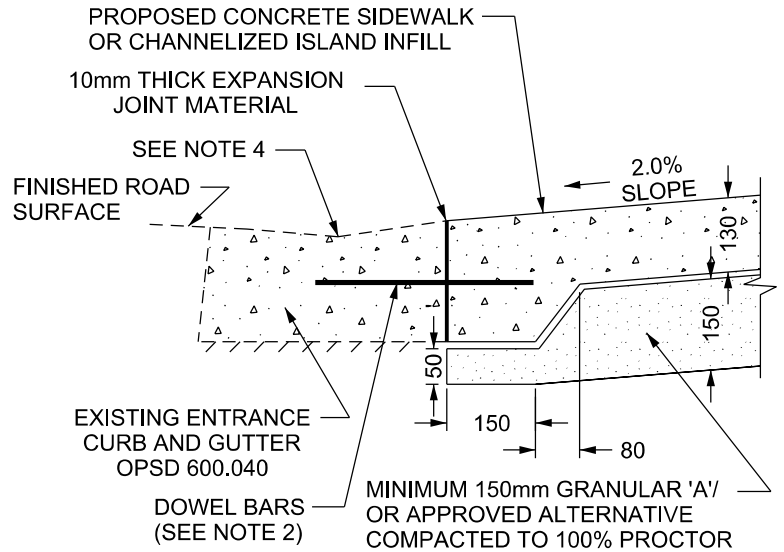
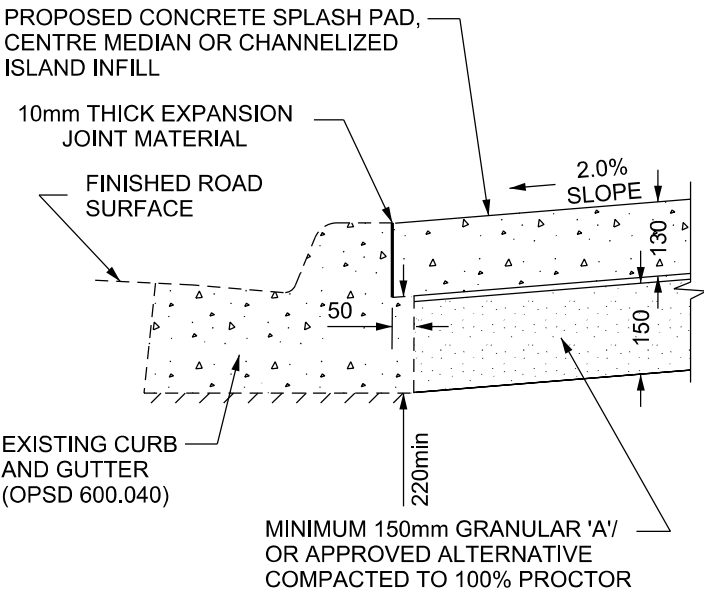


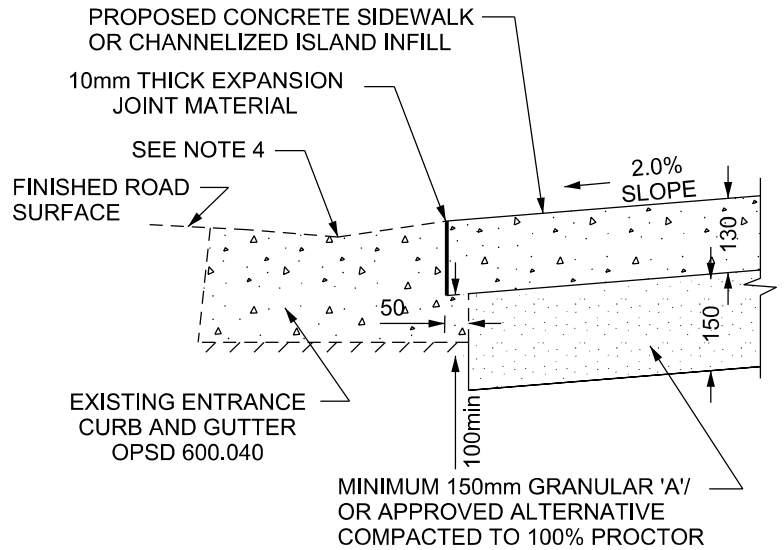
EXISTING CURB AND GUTTER WITHOUT 'KEY'



EXISTING DROPPED CURB AND GUTTER AT ENTRANCES WITHOUT 'KEY'



EXISTING CURB AND GUTTER WITH 'KEY'



EXISTING DROPPED CURB AND GUTTER AT ENTRANCES WITH 'KEY'

NOTES

1. THIS DRAWING MUST BE USED IN CONJUNCTION WITH STANDARD DRAWING 5-2-9A
2. EPOXY COATED DOWEL BARS (15mm REBAR BY 760mm) MUST BE INSTALLED WITH EPOXY GROUT EVERY 600mm, CENTRED VERTICALLY IN THE CONCRETE
3. ALL CONCRETE TO BE 32MPa; 7% +/-1.5% AIR ENTRAINED
4. DEPRESSED CURB AT ENTRANCE SHALL BE MODIFIED TO ELIMINATE 30mm STEP AT GUTTER

ALL DIMENSIONS ARE IN MILLIMETERS UNLESS OTHERWISE SPECIFIED.