

REINFORCING 50 MIN. LAPWELDED AND JOINT GROUDED WITH NON-SHRINKING MORTAR

1200 DIA.

BALANCE OF MANHOLE AS PER STD. 2-1-1

SAFETY GRATING AS PER STD. 2-2-1

300

MIN. O.D. 8

1500 DIA. MIN.

STEPS AT 300 C/C PER STD. 2-2-1

O.D. 4

20 MPa CONCRETE

100 DIA. TILE (OPTIONAL)

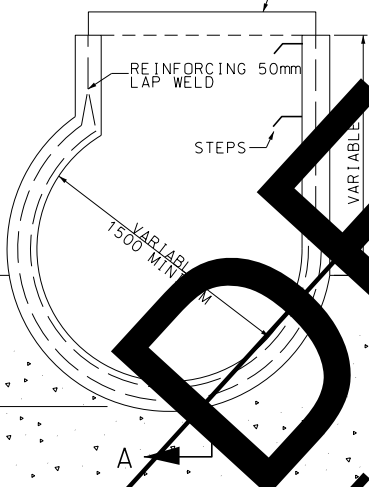
REINFORCING 50 MIN. LAPWELDED AND JOINT GROUDED WITH NON-SHRINKING MORTAR

UNDISTURBED GROUND

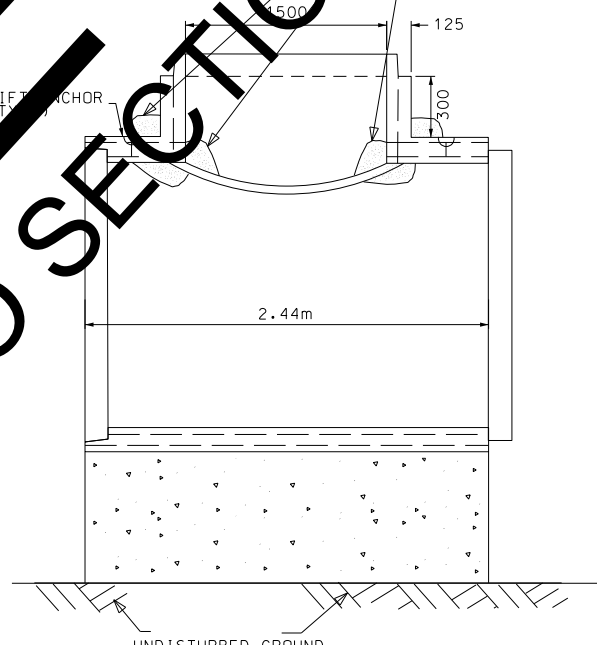
A

1500 DIAMETER RISE PER SECTION STD. DWG. 2-1-2

B



SECTION B-B



SECTION A-A

NOTE

1. MAINTENANCE HOLE TO BE COMPLETED WITH STANDARD 1500mm DIAMETER COMPONENTS AS PER STD. DWG. 2-1-2
2. MAINTENANCE HOLE TEES MAY BE USED FOR SEWERS BETWEEN 1500mm DIAMETER AND 3000mm DIAMETER
3. EVERY THIRD MAINTENANCE HOLE TEE INCLUSIVE OR AT CHANGE OF DIRECTION WILL REQUIRE A MAINTENANCE HOLE TO OPSD SPECIFICATIONS
4. SAFETY GRATE WHERE REQUIRED (AS PER STD. DWG. 2-2-1).

DELETED (REFER TO SECTION 2-5, 2-7)



PUBLIC WORKS
STANDARD DRAWING

REV. DATE: MAY 2014

REVISION NUMBER: FOR REVISION TRACKING REFER TO STD. DWG. 2-0-2

APPROVED BY DRAWN BY

R.DT. L.W.

STD. DWG. NUMBER SCALE

2-1-3 N.T.S.

PRECAST MAINTENANCE HOLE TEES