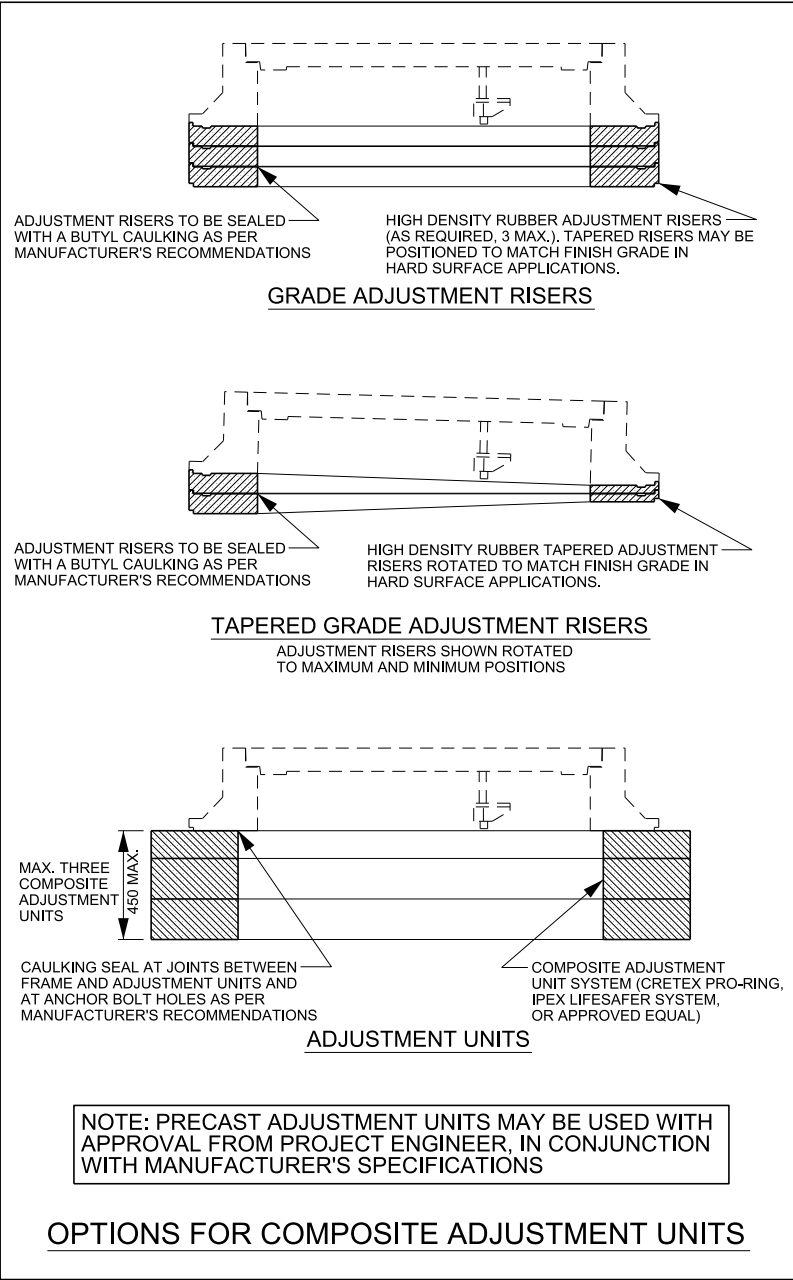
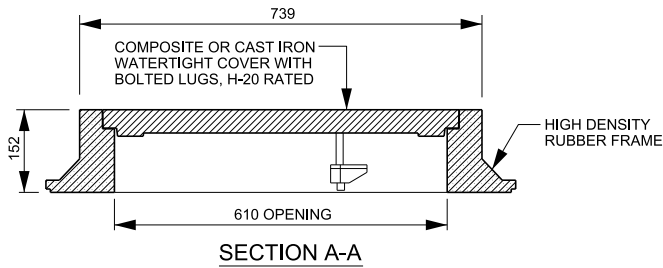
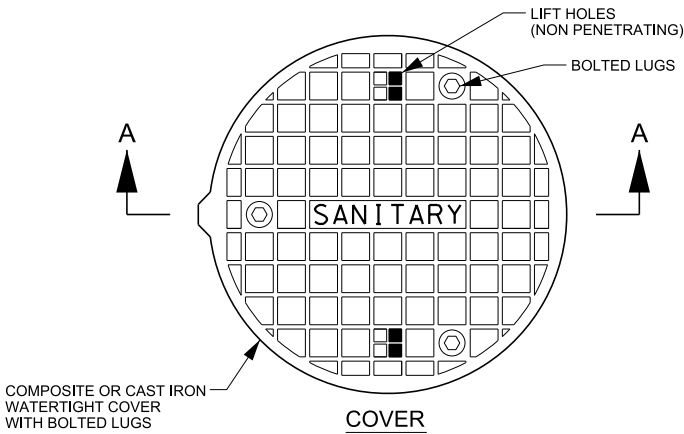
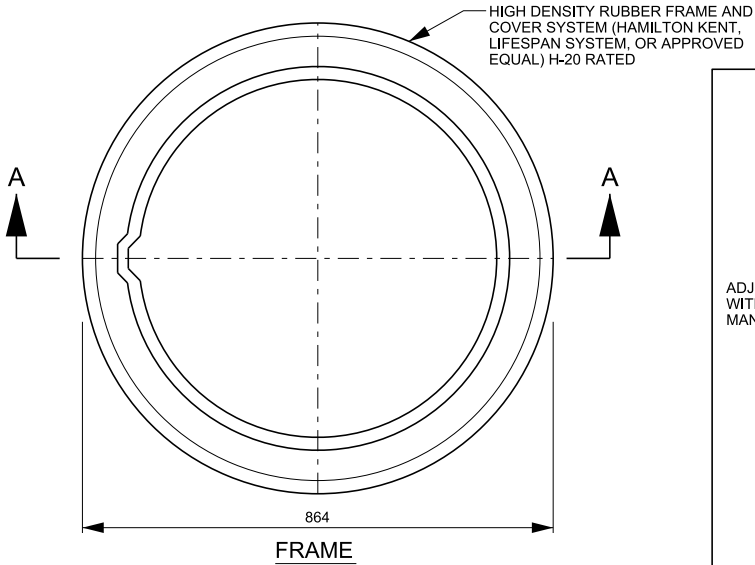


REGION APPROVAL FOR THIS FRAME AND COVER SYSTEM REQUIRED PRIOR TO CONSTRUCTION



- NOTE**
- REFER TO STANDARD DRAWING 2-5-1, 2-7-1 AND 2-8-1 FOR GENERAL NOTES PERTAINING TO PRECAST MAINTENANCE HOLES.
 - IF FRAME TO BE ATTACHED DIRECTLY TO PRECAST MAINTENANCE HOLE TOP. REFER TO MANUFACTURER'S RECOMMENDATIONS FOR ANCHORING REQUIREMENTS.
 - THE WORD "SANITARY" TO BE CAST INTO COVER WITH 50mm LETTERS.
 - INFLOW REDUCTION DISHS ARE NOT REQUIRED FOR THIS FRAME AND COVER SYSTEM.
 - IF THIS DETAIL IS UTILIZED, CONTRACTOR MUST ENSURE ALL REQUIRED INSTALLATION REQUIREMENTS ARE FOLLOWED. CONTRACTOR MUST BE CERTIFIED ON INSTALLATION BY BOTH PRODUCER AND SUPPLIER AND CERTIFICATION OF CONTRACTOR MUST BE DOCUMENTED AND PROVIDED TO PROJECT ENGINEER.
 - THIS FRAME AND COVER SYSTEM IS INTENDED FOR INSTALLATION WITHIN EASEMENTS OR FLOODPLAINS ONLY. INSTALLATION WITHIN R.O.W. REQUIRES APPROVAL FROM PROJECT ENGINEER AND REGION.

NEW CONSTRUCTION		REHABILITATION	
FULL EXCAVATION	PARTIAL EXCAVATION	NO EXCAVATION	
INTERNAL		EXTERNAL	
ROW	FLOOD PLAIN	EASEMENT	
II	H2S	SECURITY	



PUBLIC WORKS
STANDARD DRAWING

MAINTENANCE HOLE APPURTENANCES
HIGH DENSITY RUBBER FRAME AND COVER SYSTEM
WITH OPTIONAL ADJUSTMENT UNITS

REV. DATE: NOVEMBER 2019

REVISION NUMBER: 1 FOR REVISION TRACKING REFER TO STD. DWG. 2-0-2

APPROVED BY DRAWN BY

A.P. AINLEY GROUP

STD. DWG. NUMBER SCALE

2-6-6 N.T.S.